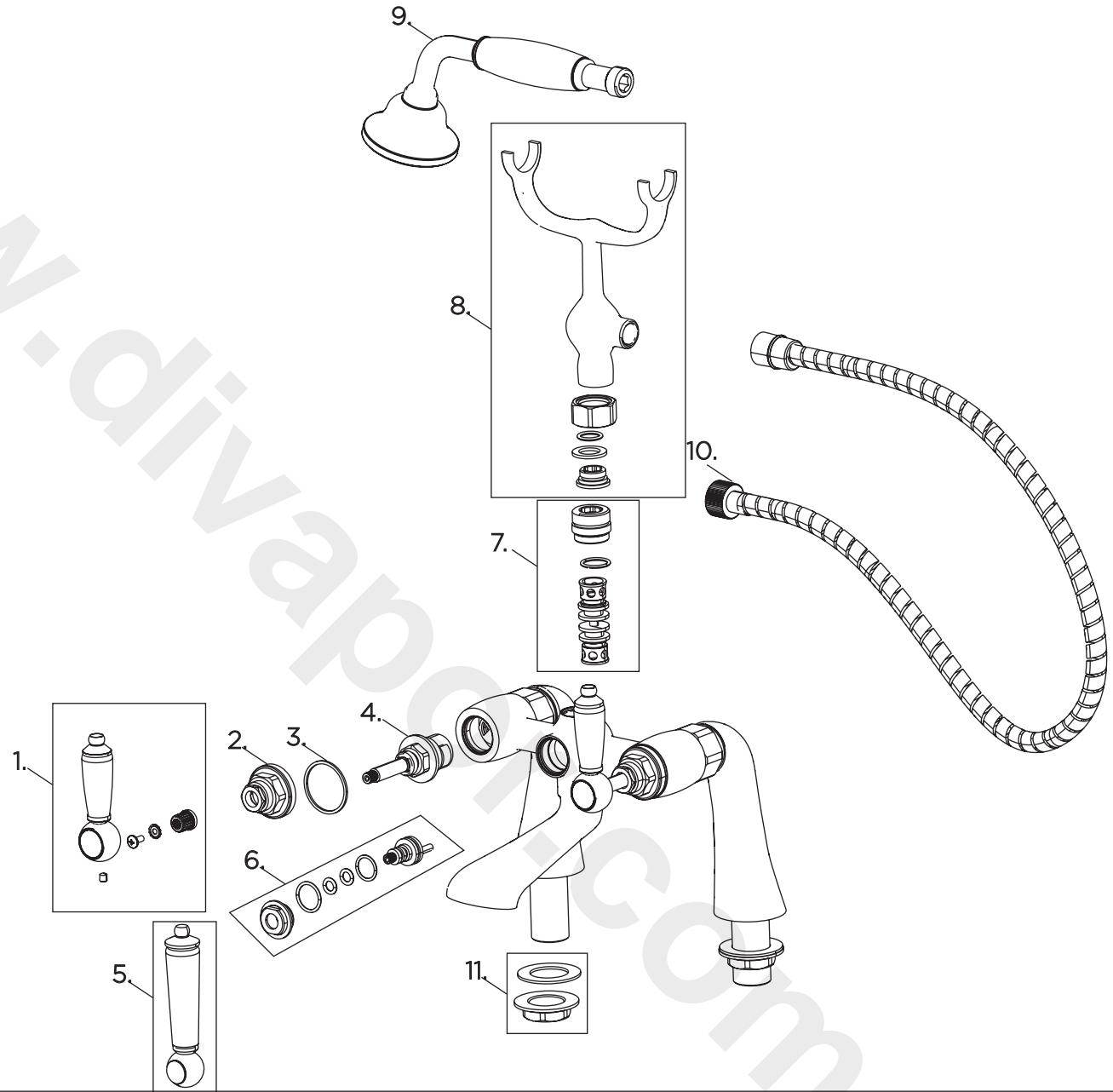


Product Code: RS2 BSM C
Revision: R1



| | |
|----|-------------------------|
| 1 | Handle Assembly |
| 2 | Shroud |
| 3 | Decorative Fibre Washer |
| 4 | Valve |
| 5 | Diverter Lever |
| 6 | Diverter Mechanism |
| 7 | Shuttle |
| 8 | Cradle |
| 9 | Handset |
| 10 | Hose |
| 11 | Fixing Kit |